

Form U3702 1985
Part No. 379084-111
Printed in Japan

MACHINE PARTS CHART **for** **SINGER***

261 U41

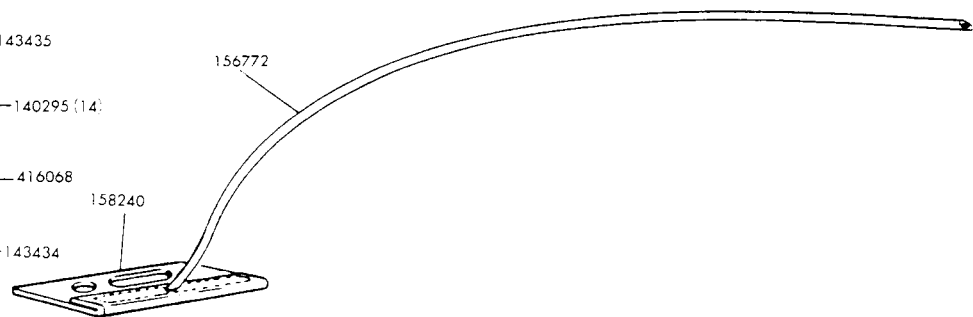
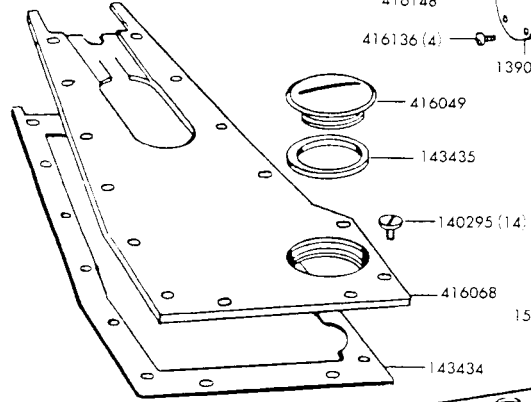
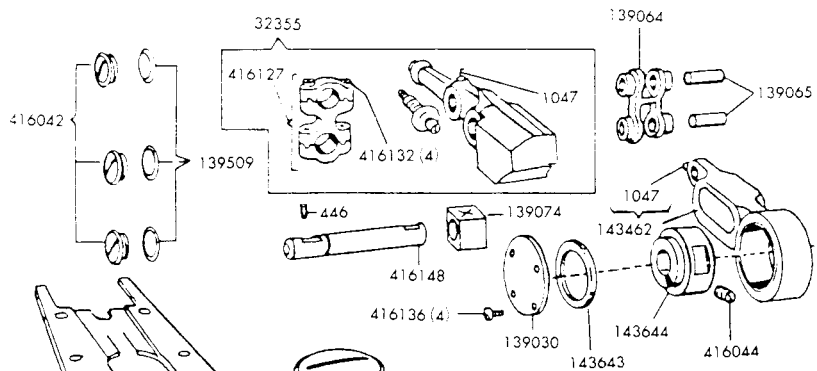
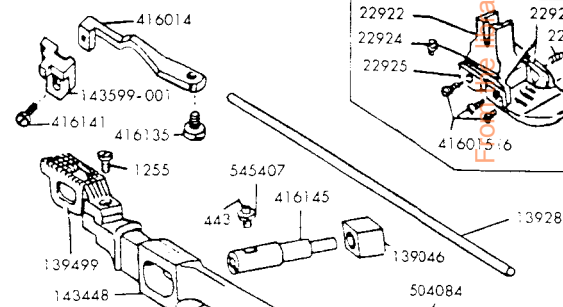
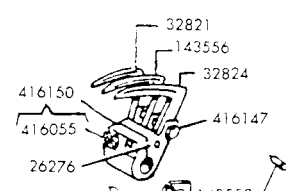
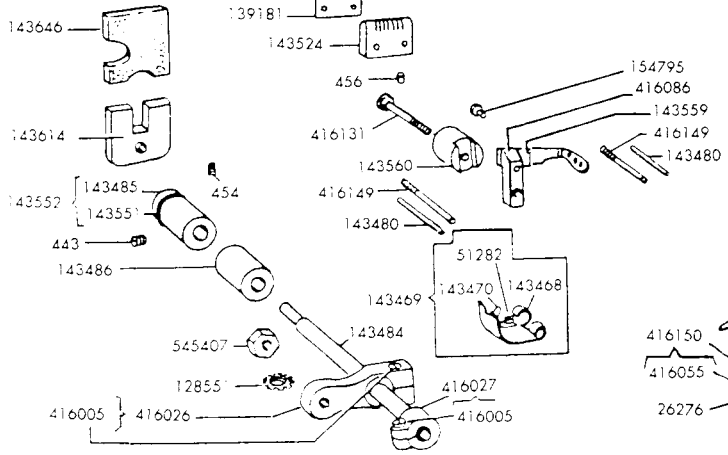
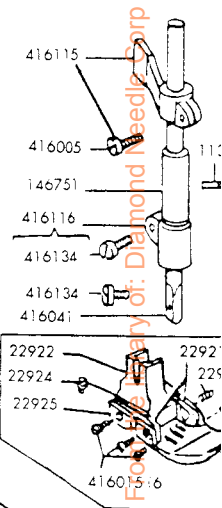
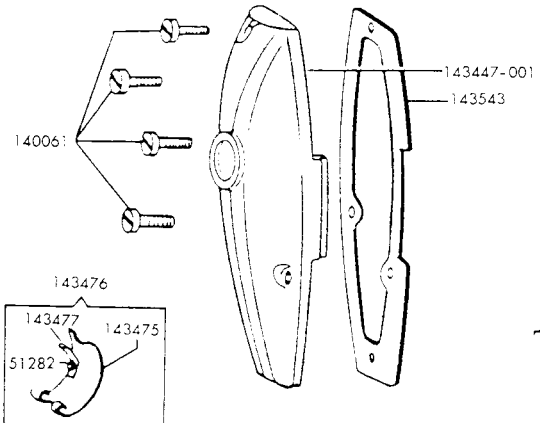
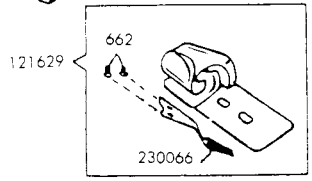
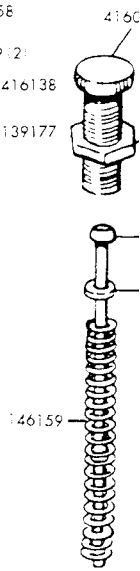
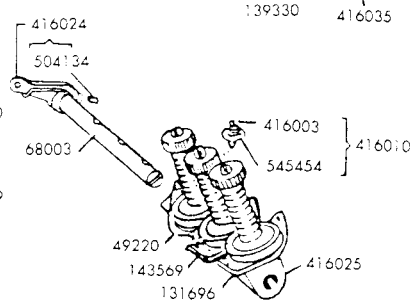
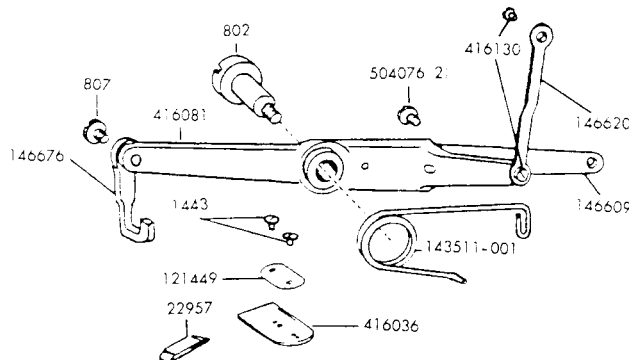
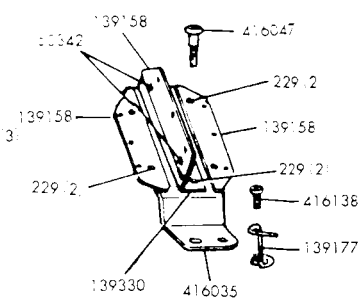
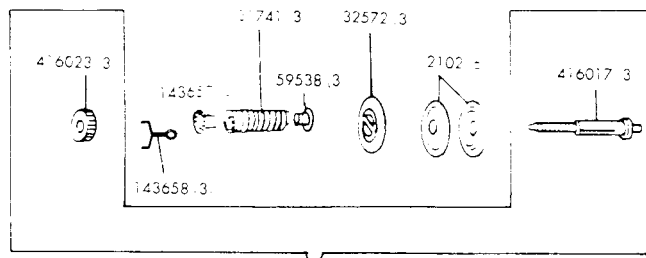
From the library of: Diamond Needle Corp

* A Trademark of THE SINGER COMPANY
Copyright © 1987 SINGER SEWING MACHINE COMPANY
All Rights Reserved Throughout The World

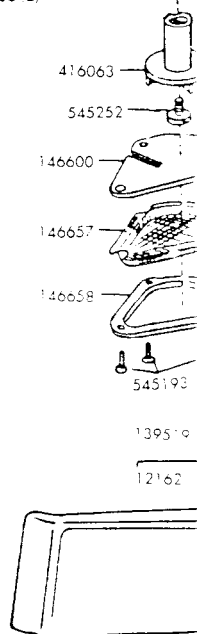
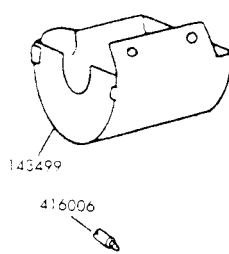
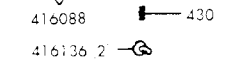
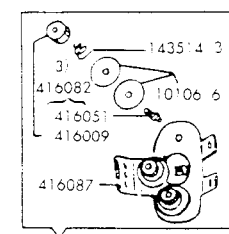
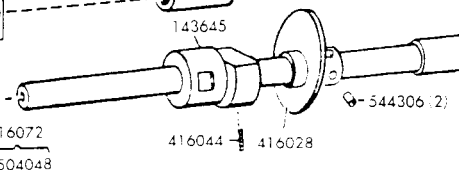
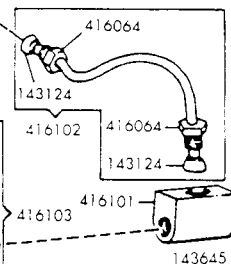
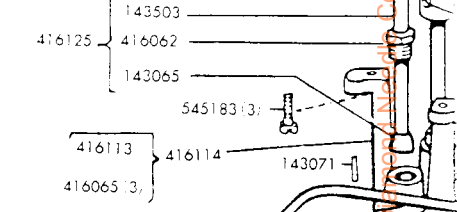
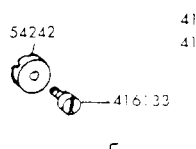
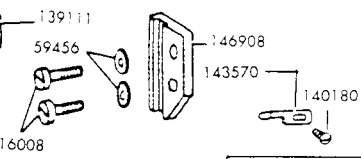
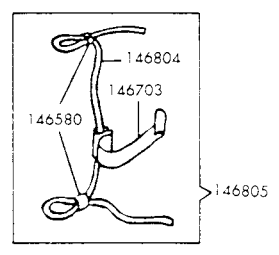
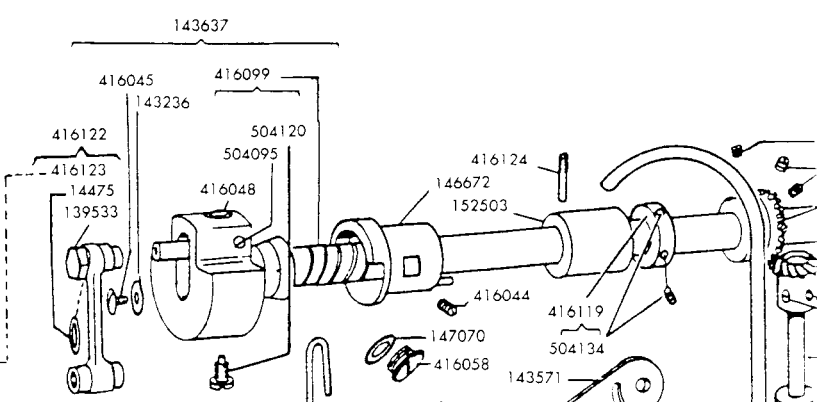
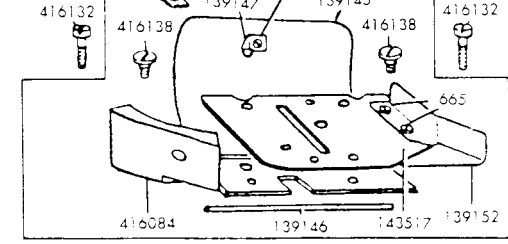
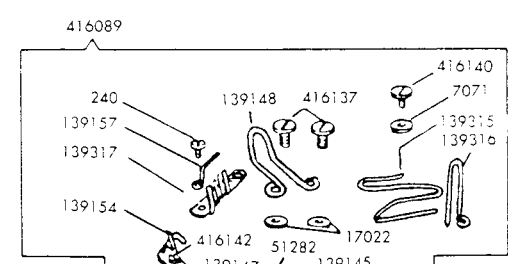
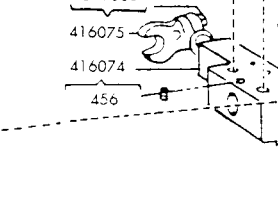
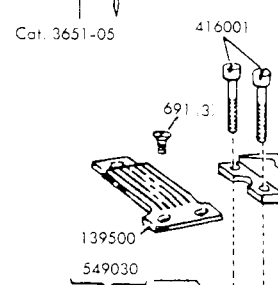
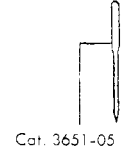
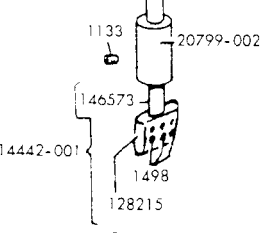
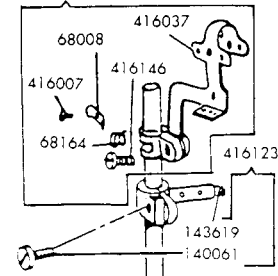
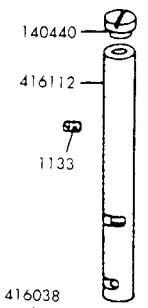
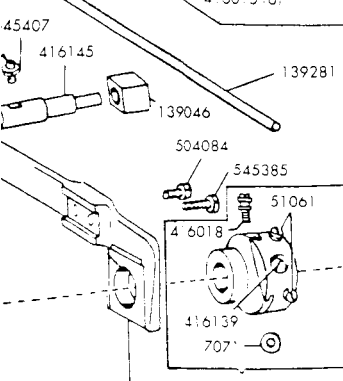
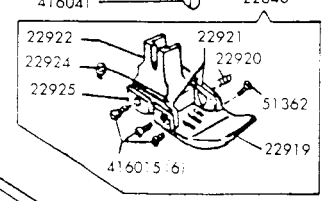
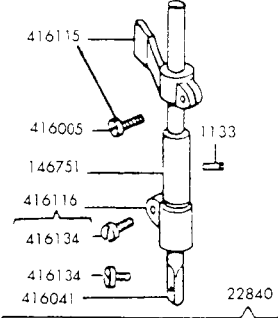
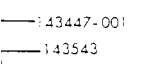
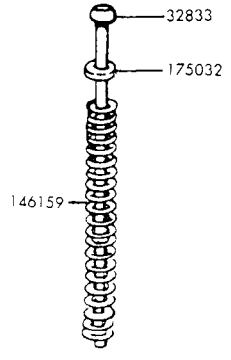
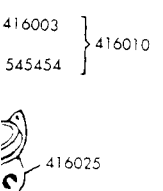
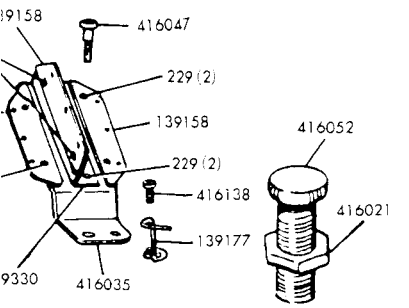
SINGER[®]

261U41

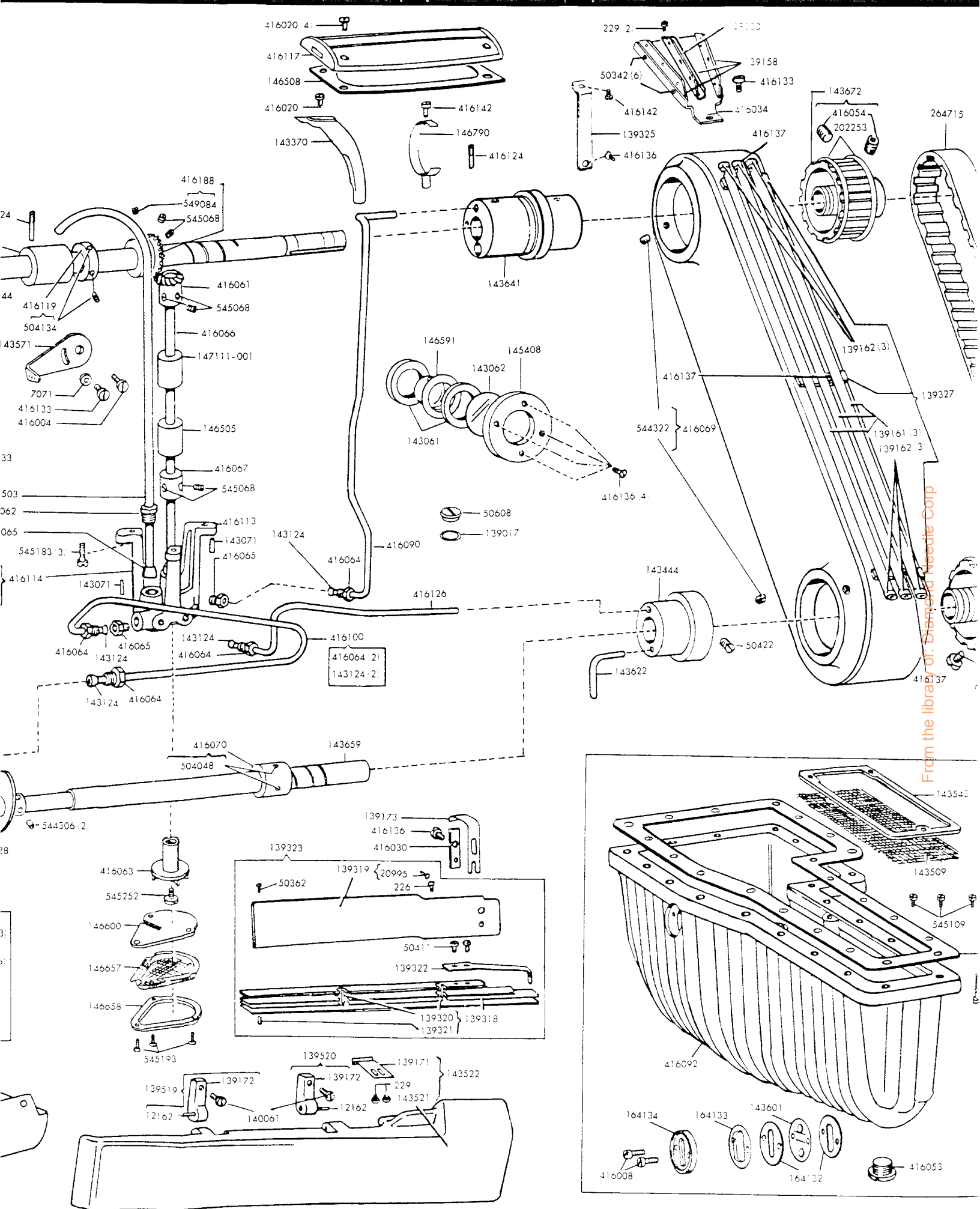
PARTS



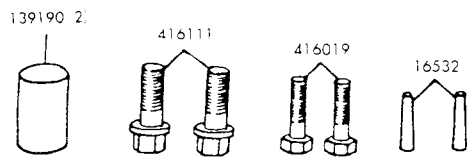
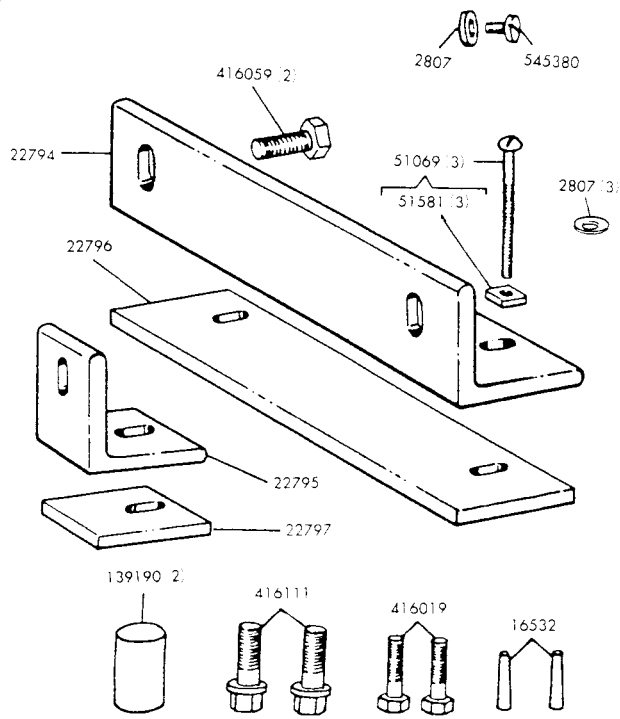
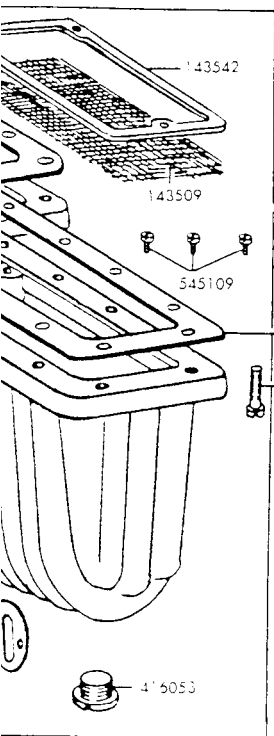
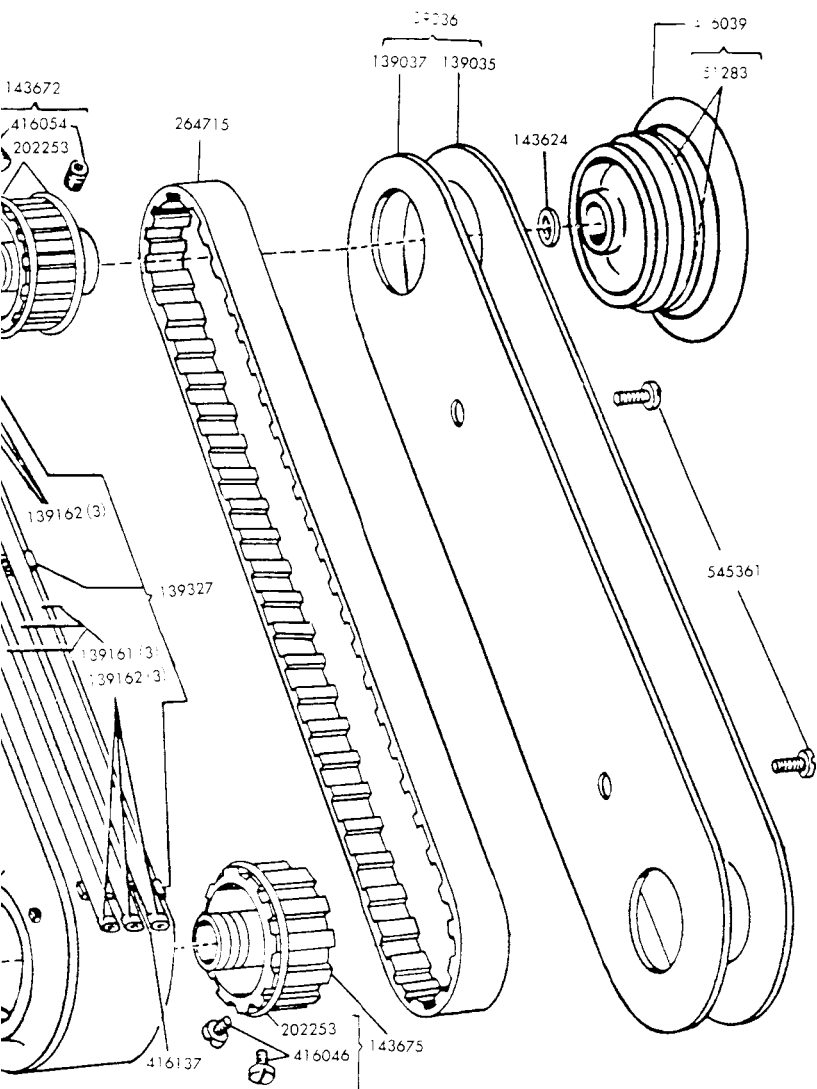
Footed by: Diamond Needle Corp



From the library of www.mechassis.com



From the library of: Diamond Needle Corp



Use SINGER* OIL, "TYPE A" or "TYPE C". Use "TYPE C" OIL when an oil is desired which will produce minimum stain on fabrics even after long period of storage.

NUMERICAL LIST OF PARTS FOR MACHINE 261U41

PART NO.	DESCRIPTION	PART NO.	DESCRIPTION
226	Looper Avoiding Eccentric Forked Connection Slide Block Cover Screw (2)	32355	Looper Driving Arm complete
226	Thread (looper) Thread Guide (front of bed) Screw (right)	32572	Tension (needle thread) Releasing Disc (3)
229	Thread (looper) Thread Guide (intermediate) Bracket Screw (2)	32821	Looper (back), for 1/8"-1/8" or 9/64"-9/64" gauges Note: When ordering No. 32821 state gauge required.
229	Thread (needle) Thread Guide (intermediate) Bracket Screw (2)	32824	Looper (front), for 1/8"-1/8" or 9/64"-9/64" gauges Note: When ordering No. 32824 state gauge required.
229	Thread (looper) Thread Guide (front of bed) Cover Catch Screw (2)	32833	Presser Bar Spring Guide Pin
229	Thread (needle) Thread Guide (left) Screw (2)	49220	Tension (needle thread) Thread Guide (back)
229	Thread (needle) Thread Guide (right) Screw (2)	50225	Thread Cutter Screw (2)
240	Thread (looper) Take-up Thread Separator Thread Retainer Screw	50342	Thread (looper) Thread Guide (intermediate) Screw (2)
430	Tension (looper thread) Body Set Screw	50342	Thread (looper) Thread Guide (left) Screw (2)
443	Feed Bar Hinge Pin Set Screw	50342	Thread (looper) Thread Guide (right) Screw (2)
443	Looper Holder Shaft Bushing (back) Set Screw	50342	Thread (needle) Thread Guide (intermediate) Screw (2)
446	Looper Driving Arm Hinge Stud Set Screw	50362	Thread (looper) Thread Guide (front of bed) Screw (left)
446	Looper Eccentric Connection Slide Block Stud Set Screw	50411	Thread (looper) Thread Guide (front of bed) Thread Retainer Screw (2)
454	Looper Holder Shaft Bushing (front) Set Screw	50422	Bed Rotary Shaft Bushing Flanged (right) Set Screw
456	Looper Eccentric Connection Slide Block Stud Set Screw	50608	Bed Oil Plug Screw
456	Looper Thread Guide Bracket Holder Set Screw	51061	Feed Eccentric Body Set Screw (2)
662	Lap Seam Feller Spring Screw (2)	51069	Mounting Bracket Bolt with 51581 (3)
665	Thread (looper) Take-up Stripper Plate Thread Guard Screw (2)	51282	Thread (looper) Take-up Cover Lock Spring Screw
691	Throat Plate Screw (3)	51282	Looper Gate (left) Lock Spring Screw
802	Presser Bar Lifting Lever Hinge Screw	51282	Looper Gate (right) Lock Spring Screw
807	Presser Bar Lifting Bracket Lifter Hinge Screw	51283	Machine Pulley Set Screw (2)
966	Oil Reservoir Screw (21)	51362	Presser Foot Plate Leveling Spring Screw
1047	Looper Driving Arm Connection Link Hinge Pin Set Screw (2)	51581	Mounting Bracket Bolt Nut (3)
1133	Presser Bar Bushing (lower) Set Screw	54242	Slack Thread Controller Clamp
1133	Needle Bar Bushing (lower) Set Screw	54988	Tension (needle thread) Releasing Pin (3)
1133	Needle Bar Bushing (upper) Set Screw	59456	Needle Bar Connecting Stud Slide Block Guide Screw Washer (2)
1255	Feed Dog Screw	59538	Tension (needle thread) Spring Bushing (small) (3)
1443	Lap Seam Feller Screw (2)	68003	Tension (needle thread) Releasing Shaft
1498	Needle Set Screw (3)	68008	Thread (needle) Take-up Plate
2102	Tension (needle thread) Disc (6)	68164	Thread (needle) Take-up Plate Spring
2807	Mounting Bracket Screw Washer	121449	Lap Seam Feller Clamping Plate
2807	Mounting Bracket Bolt Washer (3)	121629	Lap Seam Feller on Shank with Yielding Lower Scroll with 230066 and two 662, for $\frac{MH}{H}$, Special $\frac{H}{MH}$, Special $\frac{H}{M}$, Special $\frac{H}{H}$, and special heavy weight materials, for 3/16" to 3/8" gauges, in steps of 1/32"
7071	Feed Eccentric Clamping Washer		Note: When ordering No. 121629 weight of material and gauges of machine must be stated.
7071	Thread (looper) Take-up Thread Guide (right) Screw Washer		
7071	Thread (needle) Eyelet (side of arm) Position Screw Washer	128215	Needle Clamp with three 1498, for 1/8"-1/8" and 9/64"-9/64" gauges Note: When ordering No. 128215, state gauge required.
10106	Tension (looper thread) Disc (6)		
12162	Thread (looper) Thread Guide (front of bed) Cover Hinge Pin (2)	128551	Looper Driving Arm Ball Screw Stud Washer
14442-001	Needle Bar complete, for 1/8"-1/8" gauge, Nos. 128215 and 146573	131696	Tension (needle thread) Thread Guide (front)
14475	Needle Bar Connecting Link Screw Cap Disc (fiber)	131741	Tension (needle thread) Spring (3)
16532	Arm Dowel Pin (2)	139017	Bed Oil Plug Screw Washer
17022	Thread (looper) Take-up Stripper Screw Washer (2)	139030	Bed Rotary Shaft Bushing (left) Cover
20799-002	Needle Bar Bushing (lower)	139035	Bed Rotary Shaft Belt Guard Cover
20995	Thread (looper) Thread Guide (front of bed) Cover Lock Spring Position Pin	139036	Bed Rotary Shaft Belt Guard Cover 139035 with 139037
22794	Machine Mounting Bracket (long)	139037	Bed Rotary Shaft Belt Guard Cover Gasket (cork)
22795	Machine Mounting Bracket (short)	139046	Feed Bar Hinge Pin Slide Block
22796	Machine Mounting Bracket (long) Pad	139064	Looper Driving Arm Connecting Link
22797	Machine Mounting Bracket (short) Pad	139065	Connecting Link Hinge Pin (2)
22840	Presser Foot (triple hinged) complete, for 1/8"-1/8" and 9/64"-9/64" gauges, Nos. 22919, 22920, 22922, 22924, 22925, 51362, two 22921 and six 416015 Note: For 1/8"-1/8" gauge order Code 501, for 9/64"-9/64" gauge order Code 502. Note: When ordering 22840, Code for gauge required must be stated.	139074	Looper Eccentric Connecting Slide Block
22919	Presser Foot Plate, for 1/8"-1/8" and 9/64"-9/64" gauges, for 22839 and 22840 Note: For 1/8"-1/8" gauge order Code 501, for 9/64"-9/64" gauge, order Code 502. Note: When ordering 22919, Code for gauge required must be stated.	139111	Needle Bar Connecting Stud Slide Block
22920	Presser Foot Plate Leveling Spring	139145	Thread (looper) Take-up Cover
22921	Presser Foot Plate and Yielding Heel Connection (2)	139146	Thread (looper) Take-up Cover Hinge Pin
22922	Presser Foot Shank	139147	Thread (looper) Take-up Cover Lock Spring
22924	Presser Foot Yielding Heel Spring	139148	Thread (looper) Take-up Stripper
22925	Presser Foot Yielding Heel	139152	Thread (looper) Take-up Stripper Plate Thread Guard
22957	Lap Seam Feller Slide Filler Plate	139154	Thread (looper) Take-up Thread Guide (left)
26276	Looper Position Pin	139157	Thread (looper) Take-up Thread Separator Thread Retainer
		139158	Thread (looper) Thread Guide (intermediate)
		139158	Thread (looper) Thread Guide (left)
		139158	Thread (looper) Thread Guide (right)
		139158	Thread (needle) Thread Guide (intermediate)
		139158	Thread (needle) Thread Guide (left)
		139158	Thread (needle) Thread Guide (right)
		139161	Thread (looper) Thread Tube (belt guard) (3)
		139162	Thread (looper) Thread Tube (belt guard) Bushing (6)
		139171	Thread (looper) Thread Guide (front of bed) Cover Catch

From the library of Diamond Needle Corp

NUMERICAL LIST OF PARTS FOR MACHINE 261U41

PART NO.	DESCRIPTION	PART NO.	DESCRIPTION
139172	Thread (looper) Thread Guide (front of bed) Cover Hinge Plate (2)	143468	Looper Gate (left)
139173	Thread (looper) Thread Guide (front of bed) Cover Lock Spring	143469	Looper Gate (left) 143468 with 143470 and 51282
139177	Thread (needle) Eyelet	143470	Looper Gate (left) Lock Spring
139181	Thread Cutter (knife)	143475	Looper Gate (right)
139190	Machine Cushion (2)	143476	Looper Gate (right) 143475 with 143477 and 51282
139281	Thread (looper) Thread Tube (side of bed)	143477	Looper Gate (right) Lock Spring
139315	Thread (looper) Take-up Thread Guide (right) (for one thread)	143478	Looper Gate Hinge Pin (2)
139316	Thread (looper) Take-up Thread Guide (right) (for two threads)	143480	Looper Gate Position Pin (2)
139317	Thread (looper) Take-up Thread Separator	143484	Looper Holder Shaft
139318	Thread (looper) Thread Guide (front of bed) with 139321 and two 139320	143485	Looper Holder Shaft Bushing (back)
139319	Thread (looper) Thread Guide (front of bed) Plate with 20995	143486	Looper Holder Shaft Bushing (front)
139320	Thread (looper) Thread Guide (front of bed) Thread Retaining Pin (long) (2)	143499	Oil and Lint Guard
139321	Thread (looper) Thread Guide (front of bed) Thread Retaining Pin (short)	143503	Oil Pipe for 143504
139322	Thread (looper) Thread Guide (front of bed) Threat Retainer	143508	Oil Reservoir Gasket
139323	Thread (looper) Thread Guide (front of bed) complete, Nos. 226, 50362, 139318, 139319, 139322 and two 50411	143509	Oil Reservoir Screen
139325	Thread (looper) Thread Guide Bracket Support	143511-001	Presser Bar Lifting Lever Spring
139327	Thread (looper) Thread Tube (belt guard) complete, Nos. three 139161 and six 139162	143514	Tension (looper thread) Spring (3)
139330	Thread (looper) Thread Guide (intermediate) Bracket	143517	Thread (looper) Take-up Stripper Plate
139330	Thread (needle) Thread Guide (intermediate) Bracket	143521	Thread (looper) Thread Guide (front of bed) Cover
139393	Slack Thread Controller	143522	Thread (looper) Thread Guide (front of bed) Cover 143521 with 139171 and two 229
139499	Feed Dog, 12 teeth (8 teeth to the inch) Note: When ordering No. 139499, state gauge required.	143524	Thread Cutter Support and Thread Guide
139500	Throat Plate, for 1/8"-1/8" and 9/64"-9/64" gauges for use with 22840 and 139499 Note: When ordering No. 139500 state gauge required.	143542	Oil Reservoir Screen Frame
139509	Feed Bar Hinge Pin (eccentric) Gasket	143543	Face Plate Gasket
139509	Looper Driving Arm Hinge Stud Gasket	143551	Looper Holder Shaft Bushing (back) Oil Seal (rubber)
139509	Looper Eccentric Connection Slide Block Stud Gasket	143552	Looper Holder Shaft Bushing (back) 143485 with 143551
139519	Thread (looper) Thread Guide (front of bed) Cover Hinge Plate (left) 139172 with 12162	143556	Looper (intermediate)
139520	Thread (looper) Thread Guide (front of bed) Cover Hinge Plate (right) 139172 with 12162	143558	Looper Holder Bushing (eccentric)
139533	Needle Bar Connecting Link Screw Cap	143559	Looper Thread Guide
139534	Looper Driving Arm Hinge Stud	143560	Looper Thread Guide Bracket Holder
140061	Face Plate Screw (4)	143569	Tension (needle thread) Thread Guide (center)
140061	Thread (looper) Thread Guide (front of bed) Cover Hinge Plate Screw (2)	143570	Thread Guide (front of bed)
140061	Needle Bar Connecting Stud Clamping Screw	143571	Thread (needle) Eyelet (side of arm)
140180	Thread Guide (front of arm) Screw	143599-001	Needle Guard (movable)
140295	Bed Cover Screw (14)	143601	Oil Reservoir Sight Gauge Background Disc
140440	Needle Bar Bushing (upper) Oil Plug Screw	143614	Bed Oil Shield (felt, lower)
143061	Oil Flow Body Gasket (2)	143619	Needle Bar Connecting Stud Oil Wick (felt)
143062	Oil Flow Window	143622	Oil Return Tube
143065	Oil Pipe Clamping Sleeve	143624	Arm Rotary Shaft Sprocket Wheel Oil Retaining Ring
143071	Oil Pump (centrifugal) Body Position Pin (2)	143637	Arm Rotary Shaft 416099 with 416045, 143236 and 416122
143124	Oil Pipe Clamping Sleeve (7)	143641	Arm Rotary Shaft Flanged Bushing (back)
143236	Arm Rotary Shaft Screw Plug (front) Washer (fiber)	143643	Bed Rotary Shaft Bushing (left) Cover "O" Ring
143370	Oil Lead	143644	Bed Rotary Shaft Bushing (left)
143434	Bed Cover Gasket (cork)	143645	Bed Rotary Shaft Bushing (intermediate)
143435	Bed Cover Hole Plug Screw Gasket	143646	Bed Cover Reinforcing Plate Gasket
143444	Bed Rotary Shaft Bushing Flanged (right) with plug	143657	Tension (needle thread) Spring Bushing (large) (3)
143447-001	Face Plate with medallion	143658	Tension (needle thread) Regulating Thumb Nut Locking Spring (3)
143448	Feed Bar	143659	Bed Rotary Shaft
143450	Feed Eccentric Slide Block	143672	Arm Rotary Shaft Sprocket Wheel and Hub with two each 416054 and 202253
143451	Feed Lifting Eccentric Forked Connection Slide Block	143675	Bed Rotary Shaft Sprocket Wheel with 202253 and two 416046
143455	Looper Avoiding Eccentric Forked Connection Slide Block	145408	Oil Flow Window Cap
143458	Looper Avoiding Eccentric Forked Connection Slide Block	146159	Presser Bar Spring
143459	Looper Avoiding Eccentric Forked Connection Slide Block Cover (back)	146505	Arm Shaft (upright) Bushing (lower)
143460	Looper Avoiding Eccentric Forked Connection Slide Block Cover (front)	146508	Arm Top Cover Gasket
143462	Looper Eccentric Connection with Bushing and 1047	146573	Needle Bar (hollow)
		146580	Needle Bar Bushing (lower and upper) Oil Wick Clip (2)
		146591	Oil Flow Body
		146600	Oil Pump (centrifugal) Cover
		146609	Presser Bar Lifting Lever Extension
		146620	Tension (needle thread) Releasing Shaft Crank Connecting Link
		146657	Oil Pump (centrifugal) Screen
		146658	Oil Pump (centrifugal) Screen Frame
		146672	Arm Rotary Shaft Flanged Bushing (front) with drain tube
		146676	Presser Bar Lifting Bracket Lifter
		146703	Needle Bar Bushing (lower and upper) Oil Wick Clamp and Retainer
		146751	Presser Bar Bushing (lower)
		146790	Arm Rotary Shaft Flanged Bushing (back) Oil Sump Tube with holder
		146804	Needle Bar Bushing (lower and upper) Oil Wick
		146805	Needle Bar Bushing (lower and upper) Oil Wick complete, Nos. 146703, 146804 and two 146580
		146908	Needle Bar Connecting Stud Slide Block Guide

NUMERICAL LIST OF PARTS FOR MACHINE 261U41

PART NO.	DESCRIPTION	PART NO.	DESCRIPTION
147070	Arm Hole Plug Screw Washer	416058	Arm Hole Plug Screw
147111-001	Arm Shaft (upright) Bushing (upper)	416059	Mounting Bracket Bolt (2)
152503	Arm Rotary Shaft Bushing (center)	416061	Arm Shaft (upright) Bevel Gear (upper) left hand spiral with two 545068
154795	Looper Thread Guide Screw	416062	Oil Pipe Clamping Sleeve Nut
156772	Oil Removing Tube (head end)	416063	Oil Pump (centrifugal) Impeller
158240	Oil Removing Tube (head end) Screen	416064	Oil Pipe Clamping Sleeve Nut (7)
164132	Oil Reservoir Sight Gauge Background Disc Gasket	416065	Oil Pipe Clamping Sleeve Adapter (3)
164132	Oil Reservoir Sight Gauge Window Gasket	416066	Arm Shaft (upright)
164133	Oil Reservoir Sight Gauge Window	416067	Arm Shaft (upright) Collar with two 545068
164134	Oil Reservoir Sight Gauge Window Retainer	416068	Bed Cover with insert and reinforcing Plate
175032	Presser Bar Spring Washer	416069	Bed Rotary Shaft Belt Guard with two 544322
202253	Arm Rotary Shaft Sprocket Wheel Spring Flange (2)	416070	Bed Rotary Shaft Bushing Flanged (right) Spacing Collar with two 504048
202253	Bed Rotary Shaft Sprocket Wheel Spring Flange	416071	Feed Eccentric (adjustable) complete, Nos. 416139, 7071, 416018 and two 51061
230066	Lap Seam Feller Sprocket	416072	Looper Avoiding Eccentric with two 504048
264715	Bed Rotary Shaft Belt	416074	Looper Avoiding Eccentric Forked Connection Bracket with 456
416001	Looper Avoiding Eccentric Forked Connection Bracket and Oil Connection Screw (2)	416075	Looper Avoiding Eccentric Forked Connection Crank (forked) with 549030
416003	Tension (needle thread) Releasing Shaft Stop Screw	416078	Looper Avoiding Eccentric Forked Connection Bracket Oil Connection
416004	Thread (needle) Eyelet (side of arm) Screw	416081	Presser Bar Lifting Lever
416005	Looper Holder Shaft Collar Clamping Screw	416082	Tension (looper thread) Screw Stud 416051 with 416009 (3)
416005	Looper Driving Arm Connection Crank Clamping Screw	416084	Thread (looper) Take-up Stripper Plate Bracket
416005	Presser Bar Lifting Bracket Clamping Screw	416086	Looper Thread Guide Bracket
416006	Thread (looper) Take-up Cover Position Screw Stud	416087	Tension (looper thread) Body
416007	Thread (needle) Take-up Plate Spring Screw	416088	Tension (looper thread) complete, Nos. 416087, three each 143514, 416082 and six 10106
416008	Needle Bar Connecting Stud Slide Block Guide Screw (2)	416089	Thread (looper) Take-up Stripper Plate Bracket 416084 with 416140, 416142, 240, 7071, 51282 139145, 139146 to 139148, 139152, 139154, 139157, 139315 to 139317, 143517, two each 416137, 416138, 665 and 17022
416008	Oil Reservoir Sight Gauge Window Retainer Screw (2)	416090	Oil Pipe with 143124 and 416064
416009	Tension (looper thread) Regulating Thumb Nut (3)	416091	Looper Eccentric and Feed Lifting Eccentric with two 545068
416010	Tension (needle thread) Releasing Shaft Stop Screw 316 with 1547	416092	Oil Reservoir
416014	Needle Guard (movable) Holder	416093	Oil Reservoir complete, Nos. 416053, 143509, 143542, 143601, 164133, 164134, two each 416008, 164132 and three 545109
416015	Presser Foot Plate Hinge Screw (2)	416099	Arm Rotary Shaft with 504095, 504120, and Crank
416015	Presser Foot Plate and Yielding Heel Connection Hinge Screw (2)	416100	Oil Pipe with two each 143124 and 416064
416015	Presser Foot Yielding Heel Hinge Screw (2)	416101	Oil Tube Connection
416017	Tension (needle thread) Screw Stud (3)	416102	Oil Pipe and two each 143124 and 416064
416018	Feed Regulating Screw	416103	Bed Rotary Shaft Bushing (left) Oil Tube with 143124 and 416064
416019	Arm Screw (left) (2)	416104	Tension (needle thread) Screw Stud 416017 with 416023 (3)
416020	Looper Driving Arm Hinge Stud Clamping Screw	416111	Arm Screw (right) (2)
416020	Oil Lead Screw	416112	Needle Bar Bushing (upper)
416020	Arm Top Cover Screw (4)	416113	Oil Pump (centrifugal) Body
416021	Pressure Regulating Thumb Screw Nut	416114	Oil Pump (centrifugal) Body 416113 with three 416065
416023	Tension (needle thread) Regulating Thumb Nut (3)	416115	Presser Bar Lifting Bracket with 416005
416024	Tension (needle thread) Releasing Shaft Crank with 504134	416116	Presser Bar Stop with 416134
416025	Tension (needle thread) Bracket	416117	Arm Top Cover
416026	Looper Driving Arm Connection Crank with 416005	416119	Arm Rotary Shaft Thrust Collar with two 504134
416027	Looper Holder Shaft Collar with 416005	416122	Needle Bar Connecting Link, Connecting Stud and Hinge Stud with 14475 and 139533
416028	Thread (looper) Take-up with two 544306	416123	Needle Bar Connecting Stud with 140061 and 143619
416030	Thread (looper) Thread Guide (front of bed) Cover Lock Spring Reinforcing Plate	416124	Arm Rotary Shaft Bushing (center) Set Screw
416034	Thread (looper) Thread Guide Bracket	416124	Arm Rotary Shaft Flanged Bushing (back) Set Screw
416035	Thread (needle) Thread Guide Bracket	416125	Oil Pipe complete, 143503 with 143065 and 416062 (for Agents only)
416036	Lap Seam Feller Slide	416126	Oil Pipe with 143124 and 416064
416037	Thread (needle) Take-up with 416146	416127	Looper Driving Arm Connection with four 416132 (for Agents only)
416038	Thread (needle) Take-up complete, Nos. 416007, 68008, 68164 and 416037	416130	Tension (needle thread) Releasing Shaft Crank Connecting Link Hinge Screw (2)
416039	Machine Pulley "V" belt groove with two 51283, for 3/8" "V" belt	416131	Looper Thread Guide Bracket Screw
416040	Feed Lifting Eccentric Forked Connection	416132	Looper Driving Arm Connection Cap (lower) Screw (2)
416041	Presser Bar	416132	Looper Driving Arm Connection Cap (upper) Screw (2)
416042	Feed Bar Hinge Pin (eccentric) Oil Plug	416132	Thread (looper) Take-up Stripper Plate Bracket Screw (2)
416042	Looper Driving Arm Hinge Stud Oil Plug	416133	Slack Thread Controller Clamp Screw
416042	Looper Eccentric Connection Slide Block Stud Oil Plug	416133	Thread (looper) Thread Guide Bracket Screw
416043	Looper Eccentric Connection Slide Block Stud Collar and Looper Driving Arm Hinge Stud Support with 416020 and two 545390	416134	Thread (needle) Eyelet (side of arm) Position Screw
416044	Arm Rotary Shaft Flanged Bushing (front) Set Screw	416134	Presser Bar Stop Clamping Screw
416044	Bed Rotary Shaft Bushing (intermediate) Set Screw	416135	Presser Foot Screw
416044	Bed Rotary Shaft Bushing (left) Set Screw		Needle Guard (movable) Holder Screw
416045	Arm Rotary Shaft Screw Plug (front)		
416046	Bed Rotary Shaft Sprocket Wheel Set Screw (2)		
416047	Tension (needle thread) Bracket Screw		
416048	Needle Bar Connecting Link Hinge Stud Clamping Screw		
416049	Bed Cover Hole Plug Screw		
416051	Tension (looper thread) Screw Stud (3)		
416052	Pressure Regulating Thumb Screw		
416053	Oil Reservoir Drain Plug		
416054	Arm Rotary Shaft Sprocket Wheel Set Screw (2)		
416055	Looper Holder Clamping Screw		

From the library of: Diamond Needle Corp

NUMERICAL LIST OF PARTS FOR MACHINE 261U41

PART NO.	DESCRIPTION	PART NO.	DESCRIPTION
416136	Oil and Lint Guard Screw (2)		
416136	Thread (looper) Thread Guide Bracket Support Screw (lower)		
416136	Thread (looper) Thread Guide (front of bed) Cover Lock Spring Screw		
416136	Bed Rotary Shaft Bushing (left) Cover Gasket Screw (4)		
416136	Oil Flow Window Cap Screw (4)		
416137	Thread (looper) Take-up Stripper Screw (2)		
416137	Thread (looper) Thread Tube (belt guard) Seat Screw (3)		
416138	Thread (looper) Take-up Stripper Plate Screw (2)		
416138	Thread (needle) Eyelet Screw		
416139	Feed Eccentric Clamping Washer Screw		
416140	Thread (looper) Take-up Thread Guide (right) Screw		
416141	Needle Guard (movable) Screw		
416142	Flanged Bushing (back) Oil Sump Tube Holder Screw		
416142	Thread (looper) Thread Guide Bracket Support Screw (upper)		
416142	Thread (looper) Take-up Thread Guide (left) Screw		
416145	Feed Bar Hinge Pin (eccentric)		
416146	Thread (needle) Take-up Clamping Screw		
416147	Looper Clamping Screw		
416148	Looper Eccentric Connection Slide Block Stud		
416149	Looper Gate Hinge Screw Stud (2)		
416150	Looper Holder with 26276 and 416055		
416188	Arm Rotary Shaft Bevel Gear, right hand spiral with 549084 and two 545068		
504048	Bed Rotary Shaft Bushing Flanged (right) Spacing Collar Set Screw (2)		
504048	Looper Avoiding Eccentric Set Screw (2)		
504076	Presser Bar Lifting Lever Extension Screw (2)		
504084	Feed Lifting Eccentric Forked Connection Screw (short)		
504095	Needle Bar Connecting Link Hinge Stud Position Set Screw		
504120	Needle Bar Crank Position Screw		
504134	Arm Rotary Shaft Thrust Collar Set Screw (2)		
504134	Tension (needle thread) Releasing Shaft Crank Set Screw		
544306	Thread (looper) Take-up Set Screw (2)		
544322	Bed Rotary Shaft Belt Guard Set Screw (2)		
545068	Arm Rotary Shaft Bevel Gear Set Screw (2)		
545068	Arm Shaft (upright) Bevel Gear (upper) Set Screw (2)		
545068	Arm Shaft (upright) Collar Set Screw (2)		
545068	Looper Eccentric and Feed Lifting Eccentric Set Screw (2)		
545109	Oil Reservoir Screen Frame Screw (3)		
545183	Oil Pump (centrifugal) Body Screw (3)		
545193	Oil Pump (centrifugal) Screen Frame Screw (3)		
545252	Oil Pump (centrifugal) Impeller Locking Screw		
545361	Bed Rotary Shaft Belt Guard Cover Screw (2)		
545380	Mounting Bracket Screw		
545385	Feed Lifting Eccentric Forked Connection Screw (long)		
545390	Looper Eccentric Connection Slide Block Stud Collar Screw (2)		
545407	Feed Bar Hinge Pin Set Screw Lock Nut		
545407	Looper Driving Arm Ball Screw Stud Nut		
545454	Tension (needle thread) Releasing Shaft Stop Screw Nut		
549030	Looper Avoiding Eccentric Forked Connection Crank Clamping Screw		
549084	Arm Rotary Shaft Bevel Gear Position Screw		
Cat. 3651-05	Needle (Size No. 22)		